

Educational Workstation Systems



ARLINK

A Solution for Every Application

ARLINK

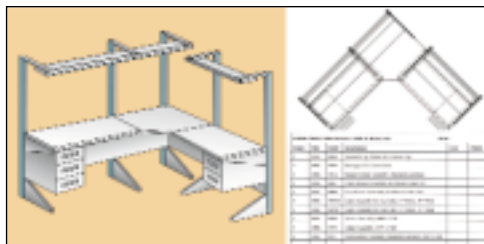
The Arlink family of Educational Workstations is designed to serve all applications throughout the Educational facility. Fully adjustable and ergonomically designed, the Arlink system allows institutions to alter student modules to suit changes in curriculum and classroom environment.

Why Arlink is the Educational System of Choice

- **Durable** - long lasting, high quality commercial grade products make Arlink a cost affective system
- **Modular** - permits student modules to be designed to enhance curriculum
- **Adjustable** - easy customization of each student module using Arlink's unique Definite Positioning System™
- **Adaptable** - multi-functional, modular design can serve applications anywhere in the facility
- **Ergonomics** - easily adjust each workstation for student comfort and unique needs as may be required
- **Assembly and Rearrangement** - rapid installation and easy reconfiguration to best suit the facility
- **Extensive Support Network** - ensures fast, local support

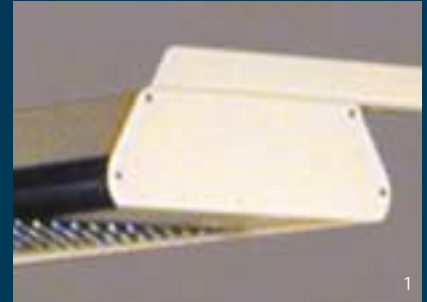
Layout Assistant

Facility layout planning and workstation design is available through Arlink's extensive network of dealers and representatives.



Accessories

Accessories available for use with Arlink Educational Modules include task lighting, wire and steel shelving, utility beams, drawers, cabinets and computer accessories. Our representatives will help you configure a system to match your specifications and tailor it to meet your individual requirements. (see back page for list of accessories)



Photos: 1. Overhead fluorescent lighting
2. Open wire shelf
3. Easy-glide steel drawers
4. Air, data and power beams

Note: See back page for list of accessories.

Superior Productivity

Educational & Training Modules

Arlink modules are available in 24" (61cm), 30" (76cm), 36" (91cm), 48" (122cm), 60" (153cm) and 72" (183cm) dimensions. Standard column heights are 54" (137cm), 72" (183cm) and 84" (214cm). Column size can be tailored to your exact requirements. Standard worksurface depth is 28" (71cm). Other sizes available on request. Select the options which will best optimize student performance:

Worksurface Material - plastic laminate, lab grade laminate, stainless steel, or maple.

Fluorescent Lighting - available in standard and 'slide & tilt' assemblies.

Power, Air and Data Beams - enables each module to be fully equipped as necessary.

Storage and Lockable Drawers - in single, two, three or four drawer and box file configurations.

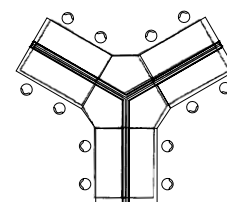
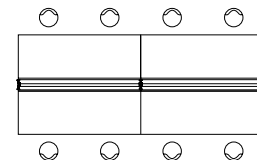
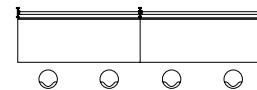
Accessory Cabinets - provide ample storage for textbooks and instructors manuals.

CPU Holder - Available in fixed and pullout configurations.

CRT Holder - easily mounts to column with swing arm. This allows the CRT to be set aside when not in use.

Keyboard Holders - permit mounting of keyboards under worksurfaces. In pullout and swivel configurations.

Sloping Document Shelf - 15" (38cm) steel shelf can display books, manuals and drawings.



Typical Expandable Layouts

1. Side by Side - 4 student module.
2. Quad/2 In Line - Double Sided - 8 student module.
3. Y Configuration - Double Sided - 12 student module.

Decorative Trim

Arlink offers decorative trim for support columns, lights and drawers.



ARLINK

Designed for a changing world



Accessories

Power Beam

Power Beam with Light Switch

Air Beam

Data Beam

Open Wire Shelf

Pullout CPU Holder

CPU Holder

Wire Management Systems

Overhead Storage Cabinets

Steel Drawers

Pelican Drawer

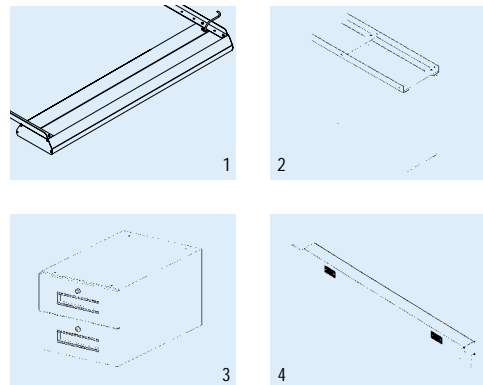
Fluorescent Light Fixtures

Swivel Tilt Light Fixture

Privacy Panels

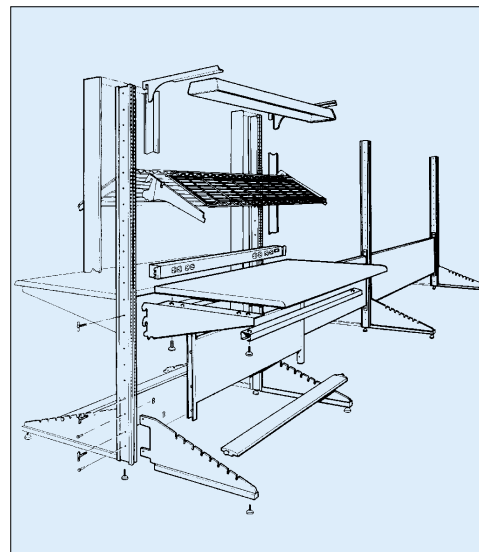
Sloping Document Shelf

Task Light Mounting Bracket



Illustrations:

- 1.) Fluorescent Light Fixture
- 2.) CPU Holder
- 3.) Steel Drawers
- 4.) Data Beam



Arlink Worldwide, Care off:

Darlas Electronic Applications SA,
5, Kimonos Str., 122 44 Egaleo-Athens-Greece.
Tel: ++3010-59-86-179
Fax: ++3010-59-11-161
E-mail: darlas@otenet.gr
Web site: www.darlas.gr

Arlink Europe, Care off:

Darlas Electronic Applications SA,
5, Kimonos Str., 122 44 Egaleo-Athens-Greece.
Tel: ++3010-59-86-179
Fax: ++3010-59-11-161
E-mail: darlas@otenet.gr
Web site: www.darlas.gr

2000-9A